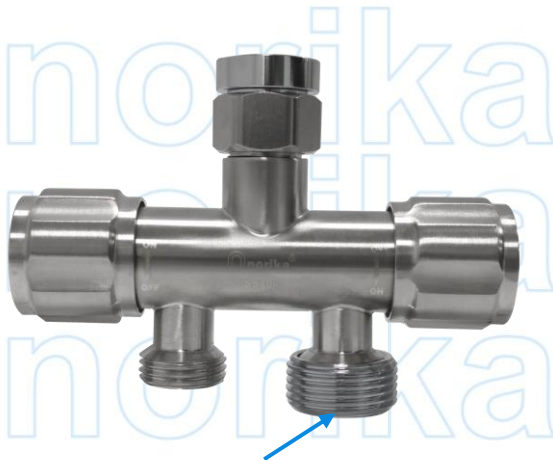
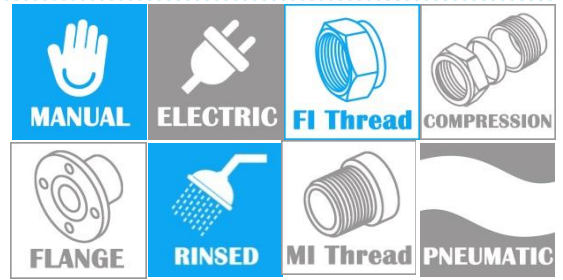
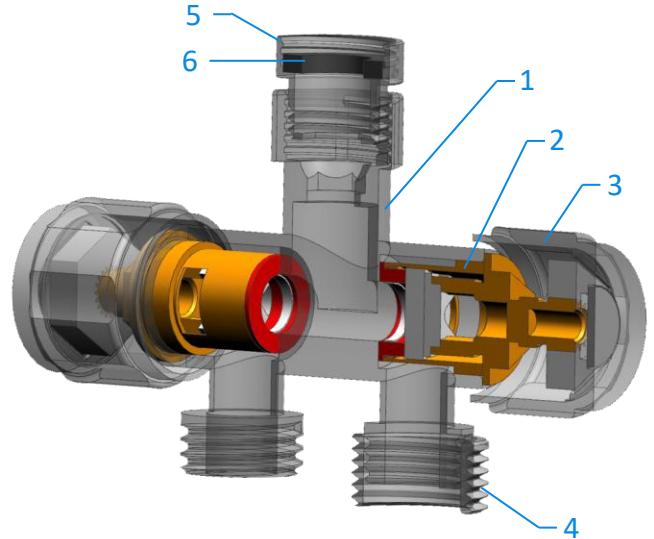


STAINLESS STEEL 304 ONE TO DUAL OUT VALVE

COMPLY WITH BS EN 13828: 2003



BUSH SKU: CRRB02015ICP
Convert the thread 1/2" to 3/4"



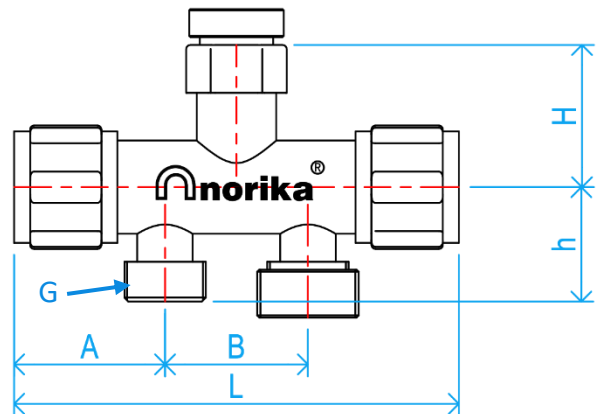
SECTION VIEW

COMPONENT PARTS

| ITEM | PARTS | MATERIAL |
|------|---------------|-----------------|
| 1 | Body | AISI304 |
| 2 | Piston | Ceramic + Brass |
| 3 | Handle | Stainless Steel |
| 4 | Bush | DZR Brass |
| 5 | Traveling Nut | Brass |
| 6 | O-ring | NBR |

STANDARD SPECIFICATIONS

| | |
|---------------------|---------|
| Nominal pressure | 1.0MPa |
| Working Medium | Water |
| Working Temperature | ≤ 90 °C |



SIDE VIEW

SPECIFICATIONS

| SKU | G (inch) | L (mm) | A (mm) | B (mm) | H (mm) | h (mm) | WEIGHT (Kg) | PCS/CTN |
|--------|-------------|-----------|-----------|-----------|-----------|-----------|----------------|---------|
| NJF799 | 1/2" BSP | 112 | 38 | 36 | 36 | 29 | 0.320 | 50 |